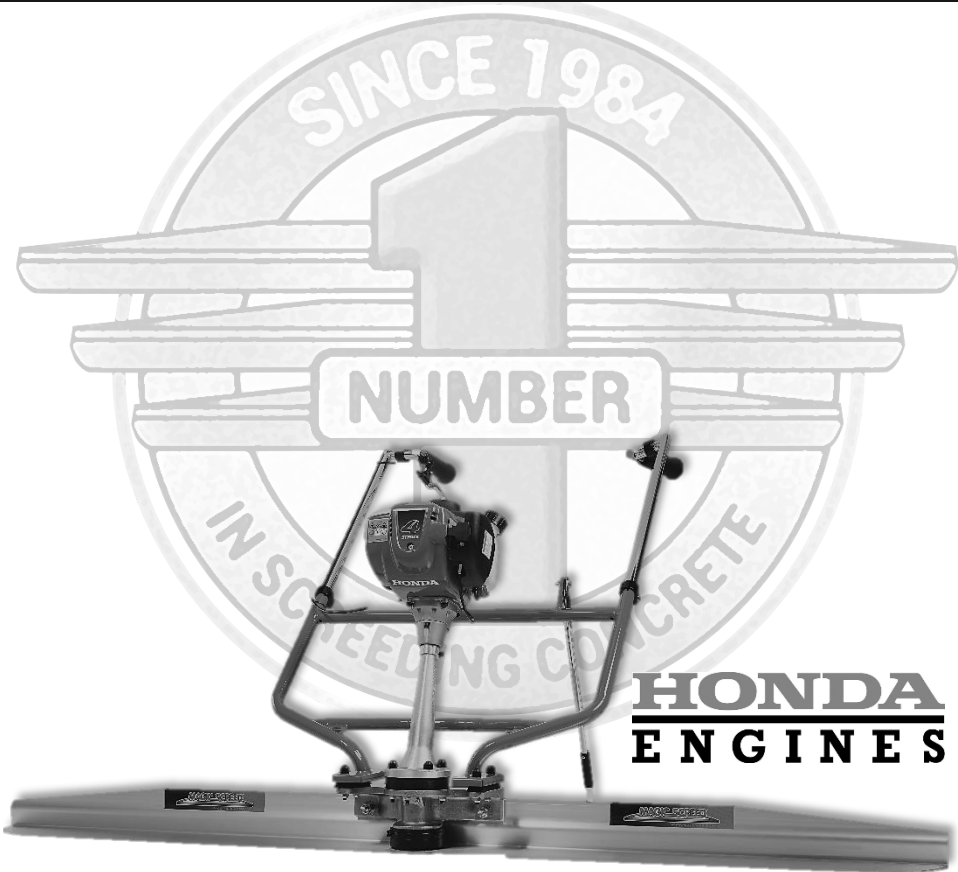


EN



PARTS BOOK & OWNER'S MANUAL

HD6060 - HD6161 - HD7070 - HD7171 - HD8080 - HD8181



SCAN FOR DIGITAL
RESOURCES AND GUIDES!



#MyMagicScreed



WWW.MAGICSCREED.COM



MAGIC SCREED PARTS BOOK & OWNER'S MANUAL

Welcome to the *Magic Screed* family!

This manual has all the information you need to operate the *Magic Screed* models **HD6060-HD6161, HD7070-HD7171, HD8080- HD8181**, all powered by **Honda's GX25 or GX35 engine**.

For any other questions, service, or replacement parts, please contact us at:

- **Phone:** +1 (450)-978-0200 (**Géroquip**)
- **Email:** info@magicscreed.com

Magic Screed is manufactured for contractors and entrepreneurs who need a reliable, user-friendly, high-productivity tool for leveling and smoothing wet concrete. **Any other use of this tool could result in damage or even cause injuries or death to the operator or surrounding coworkers.**

Unfortunately, it is impossible to warn you about all the hazards associated with operating or maintaining a powered screed. **You must use your good judgment.**

This manual, along with the *Honda* engine manual supplied with your *Magic Screed*, should always remain with the equipment. *Safety* instructions, assembly guidelines, maintenance tips, and parts list are included.

For your own *safety*, and that of your coworkers, it is required that anyone operating or servicing the screed, read and understand the safety instructions in this manual. **Failure** to do so could result in personal *injury, death, or equipment damage*.

TABLE OF CONTENTS

General Safety Instructions	p. 3
Service and Maintenance	p. 3
Assembly Procedures	p. 6
Operation Procedures and Safety	p. 7
Power Units and Blade Options	p. 8
Part Numbers by Model	p. 9
Magic Screed Parts Assembly	p. 11
Declaration of Conformity	p. 15

GENERAL SAFETY INSTRUCTIONS

1. **Read and understand both manuals:** Ensure that this owner's manual and the accompanying *Honda manual* are read and fully understood before operating or servicing the screed. All operators must be aware of the risks and safety precautions.
 - Never allow anyone to operate this equipment without proper training.
 - Always keep this manual and the *Honda manual* accessible for reference with the *Magic Screed*.
2. **Safety equipment:** Wear appropriate safety equipment as required by local regulations.
 - **Keep a fully stocked first aid kit readily available in case of injury.**
3. **Avoid moving parts:** Keep hands and body parts away from all vibrating or moving components.
4. **Burn hazard:** Allow the engine and exhaust system to cool completely before touching.
5. **Parts:** Only use parts and accessories recommended by *Magic Screed*. The use of unauthorized parts can cause damage or injury.
6. **Combustion engine safety:** Exhaust gases contain poisonous **carbon monoxide**.
 - Avoid inhaling exhaust gas.
 - Never run the engine in a closed or confined area without proper ventilation.

SUGGESTED PROTECTION GEAR

-  Hard hat
-  Protective Boots
-  Hearing Protection
-  Glasses
-  Gloves

⚠ WARNING

Carbon monoxide gas is toxic. Breathing it can cause unconsciousness and even kill you. Avoid any areas or actions that expose you to carbon monoxide.

SERVICE AND MAINTENANCE

Your *Magic Screed* should be disassembled and cleaned regularly to prevent any concrete build-up, which could cause damage of premature wear. Warranty coverage does not apply to damage or performance issues resulting from neglecting maintenance or cleaning.

Before servicing:

- Stop the engine and ensure all moving parts have stopped.
- Remove the spark plug cap. (*See Honda manual, p. 11*)
- If the engine has been running, allow it to cool for 15-20 minutes before touching.

Grease: The housing weight must be greased approximately **every ten hours of operation**. **DO NOT OVERGREASE.**

- Clean the **overflow (1)** near the **grease fitting (2)** before greasing to prevent pressure from being applied by the grease on the bearing. Such pressure could seize the bearing or damage your housing weight.



Cleaning the screed: The screed should be washed after each workday to prevent concrete accumulation. However, a proper deep cleaning should be done frequently.

- Wash the screed with water without getting the engine wet. A hard brush is effective for removing hardened concrete. To service the engine, see *Honda manual p.10.*
- Disassemble the blade and clean any accumulated concrete.
- Remove the housing weight from the handles and clean the concrete underneath the handles and in the housing shaft.
- Remove the rubber cover from the housing weight and clean any concrete or grease accumulation to allow the counterweight to move freely.
- Reassemble everything, ensuring that the **plastic spacers are between the blade and the housing weight**. Tighten the blade according to the assembly procedure to a **Torque 90 Lb.-Ft.**

Refueling safety: Refuel with care. Gasoline is extremely flammable, and gasoline vapor can explode.

- Stop the engine and let it cool before refueling.
- Refuel outdoors in a well-ventilated area.
- Keep heat, sparks, and flames away.
- Never smoke near gasoline.
- Always store gasoline in approved containers.
- Wipe up any spilled fuel immediately before starting the engine.
- Check fuel lines and the fuel tank for leaks or cracks before starting the engine.
- The Honda engine requires **unleaded gasoline with a pump octane rating of 86 or higher.** (See *Honda manual, p. 8*)
- **Warning: There is no oil in the engine.** To check the oil level, see *Honda manual, p. 9.*

⚠ WARNING

Gasoline is highly flammable and explosive. You can be burned or seriously injured when handling fuel.

- Stop the engine and keep heat, sparks, and flame away.
- Handle fuel only outdoors.
- Wipe up spills immediately.

Warning Labels:

- Ensure all safety and warning labels are visible and intact.
- Replace missing or damaged labels before usage.

DESCRIPTION LABEL → Left handle		HOT LABEL → Near exhaust														
<table border="1"> <tr> <td rowspan="4"> MAGIC SCREED 630 RUE DE L'ARGON Québec, (Québec) CANADA, G2N 2J6 </td> <td>MODEL</td> <td>HD 7070</td> <td>ENGINE ASSY.</td> </tr> <tr> <td>YEAR</td> <td>2024</td> <td>MASS 13.70 KG</td> </tr> <tr> <td>ENGINE</td> <td>HONDA</td> <td>RPM 8500</td> </tr> <tr> <td>35CC</td> <td>GX 35</td> <td>KW 1.1 KW</td> </tr> </table>		MAGIC SCREED 630 RUE DE L'ARGON Québec, (Québec) CANADA, G2N 2J6	MODEL	HD 7070	ENGINE ASSY.	YEAR	2024	MASS 13.70 KG	ENGINE	HONDA	RPM 8500	35CC	GX 35	KW 1.1 KW		
MAGIC SCREED 630 RUE DE L'ARGON Québec, (Québec) CANADA, G2N 2J6	MODEL		HD 7070	ENGINE ASSY.												
	YEAR		2024	MASS 13.70 KG												
	ENGINE		HONDA	RPM 8500												
	35CC	GX 35	KW 1.1 KW													
SAFETY GEAR LABEL → Left handle		STOP ENGINE LABEL → Gas tank														

Replacement parts: Use only parts and accessories recommended by Magic Screed. The use of unauthorized parts can cause damage or injury. Replace damaged parts immediately. Never run the screed with a damaged part.

Storage and long-term care:

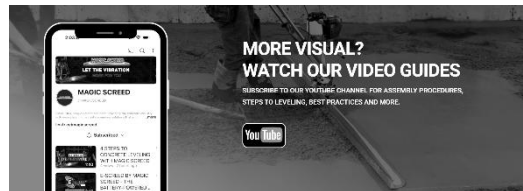
- Store the screed in a clean, dry place. Keep away from children.
- Perform regular inspections and maintenance before storage to ensure the screed is ready for future use.

→ SEE the Honda manual for specific instructions on engine servicing and safety.

For additional information, videos, and tutorials, visit the resource page on our website!

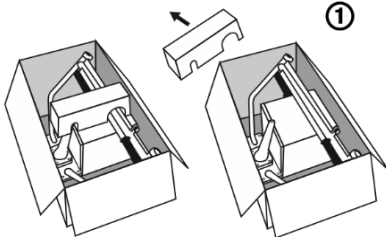


www.magicscreed.com

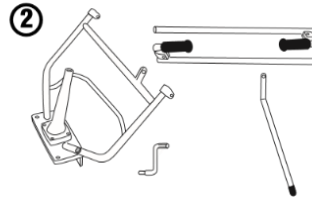


ASSEMBLY PROCEDURES

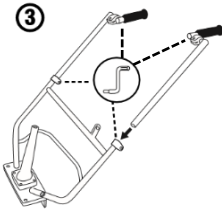
1. Take the protective foam out of the box.



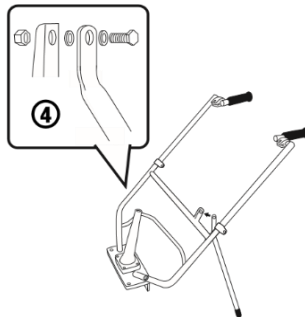
2. Remove both handles, the stand, and the base handle (assembled with the housing weight and housing shaft) from the box.



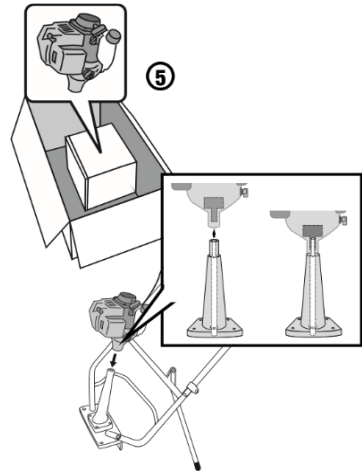
3. Insert the adjustable handles into the base handle (throttle control on the right side) and tighten the collar. Do not overtighten. Adjust and tighten the 360° grips to comfort.



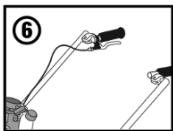
4. Place the stand with the flat side against the support, ensuring that there is a nylon washer on each side of the stand (follow the drawing).



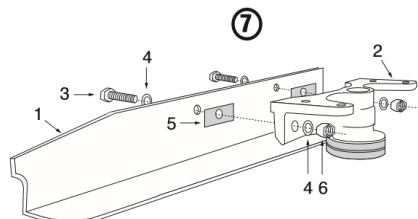
5. Remove the engine from the protective foam. Place the engine on the housing shaft. Make sure that the driveshaft is inserted in the clutch adaptor and tighten. (Do not overtighten)



6. Put the rounded end of the throttle cable into the throttle control and adjust so that the rubber handle grip becomes the stopper.

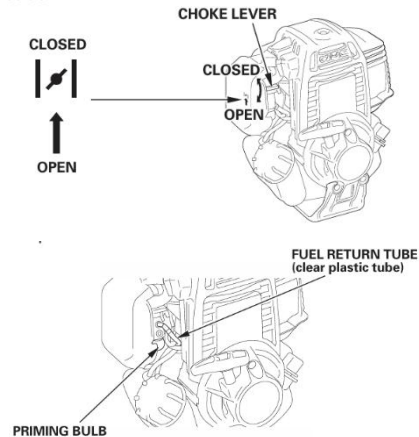


7. Assemble the blade (1) on the housing weight (2) in the following order: bolts (3), washers (4), blade (1), plastic spacers (5), washers (4), nuts (6). (See drawing). Tighten all the above at approximately **90 Lbs. Torque**. **The plastic spacers must always be between the housing weight and the blade.** They are used as a cushion and prevent blade damage. If they are not in place, it could void your warranty. Replacement plastic spacers are available at your Magic Screed dealer.



OPERATION PROCEDURES AND SAFETY

1. **Before starting:** Verify the fuel level, oil level, air filter condition, and condition of the screed (e.g.: damaged parts, grease, labels).
2. **Starting Procedure:** The complete starting procedure is in your Honda owner's manual, p.4.
 - **Starting a Cold Engine:** Move the choke lever to the **CLOSED** position.
 - **Starting a Warm Engine:** Leave the choke lever in the **OPEN** position.
 - **Prime the Engine:** Press the priming bulb repeatedly until you see fuel in the clear fuel-return tube.
 - **Turn on the Engine:** Flip the ON/OFF switch to the **ON** position. The switch is located on the left-hand side under the carburetor.
 - **Pull the Starter Grip:** Lightly pull the starter grip until you feel resistance, then pull briskly.
 - **Adjust the Choke:** If the choke lever is in the **CLOSED** position, gradually move it to the **OPEN** position as the engine warms up.
3. **Screeding:** (For pictures and videos on how to use the screed, visit our website: www.magicscreed.com/the_steps)
 - **Concrete Placement:** Spread the concrete as uniformly as possible using rakes.
 - **Leveling Points:** Mark 4 leveling points at a distance corresponding to the length of the blade being used.
 - **Marking:** Use your Magic Screed to level between the wet pads on both sides of the central, unlevelled path. *Only use half of the throttle speed for the most effective results.*
 - **Leveling:** With the help of 1 or 2 rakers who add or remove concrete as needed, screed the prepared section of concrete. Repeat for each section)
4. **To stop:**
 - Gradually release the throttle lever.
 - Allow the engine idle for a few minutes before turning OFF the switch.
5. **Cleaning:** Let the engine cool before cleaning your *Magic Screed*. Clean your screed after each use according to the instructions on p.4.
6. **Transporting:** If the engine has been running, allow it to cool off for at least 15 minutes before loading the screed onto a transport vehicle. A hot engine and exhaust system can burn or ignite some materials.



POWER UNITS AND BLADE OPTIONS

GAS POWER UNITS

NUMBER	ENGINE	PARTICULARITIES
HD6060	HONDA 4-STROKE OHC GX35 TMS3	Adjustable handles on height only
HD6161	HONDA 4-STROKE OHC GX35 TMS3	Adjustable handles on height only and X-TRA vibro-mounts
HD7070	HONDA 4-STROKE OHC GX35 TMS3	Adjustable handles on height and 360°
HD7171	HONDA 4-STROKE OHC GX35 TMS3	Adjustable handles on height and 360° and X-TRA vibro-mounts
HD8080	HONDA 4-STROKE OHC GX25 NTXT3	Adjustable handles on height and 360°
HD8181	HONDA 4-STROKE OHC GX25 NTXT3	Adjustable handles on height and 360° and X-TRA vibro-mounts



BLADES

- Extruded aluminum
- Fit on all power units
- Other sizes available



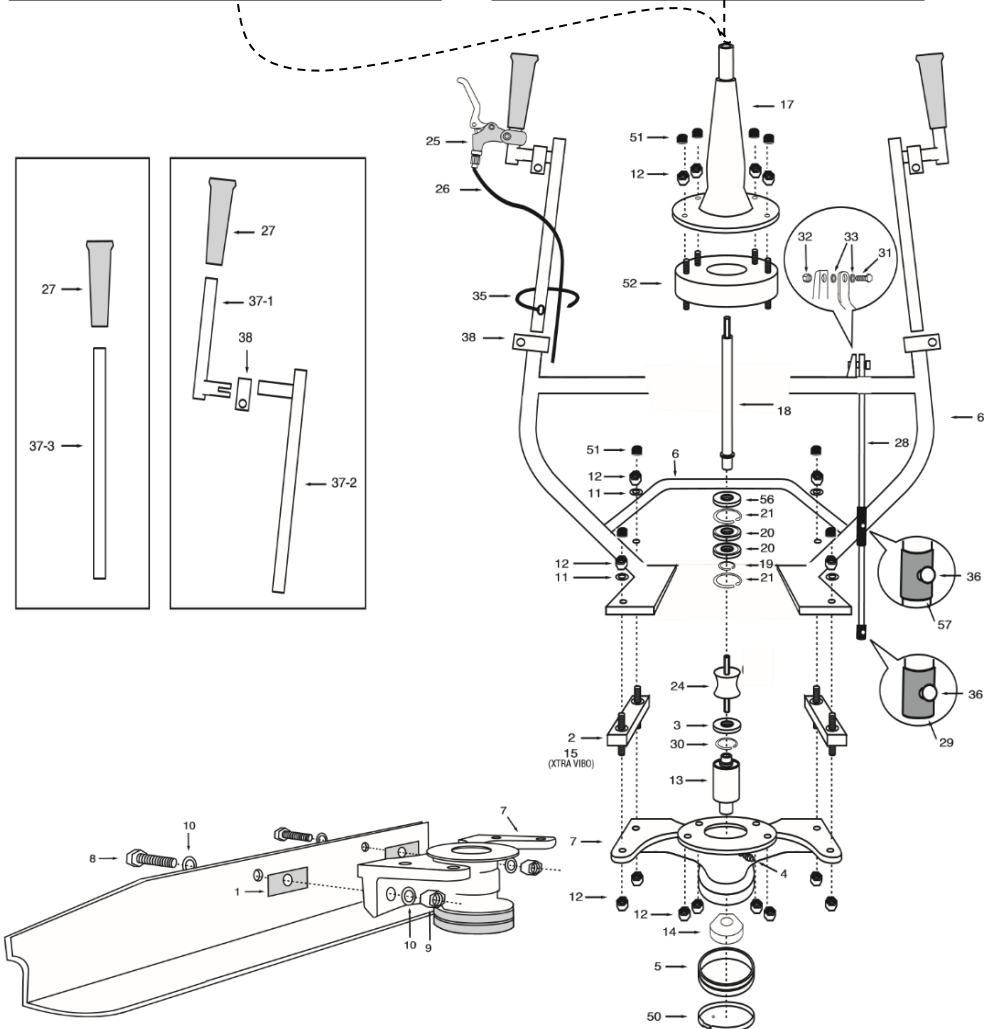
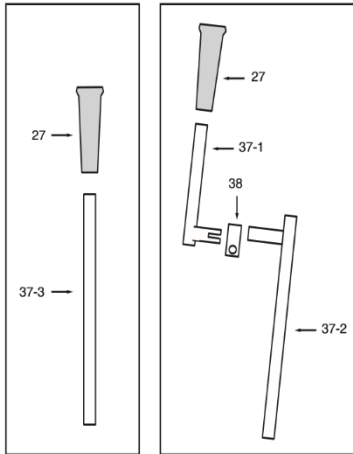
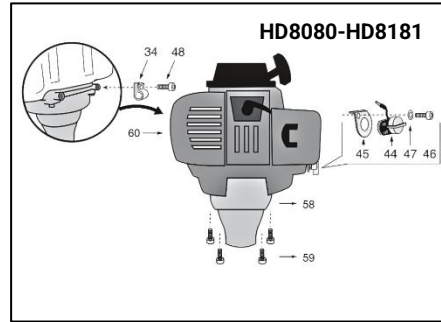
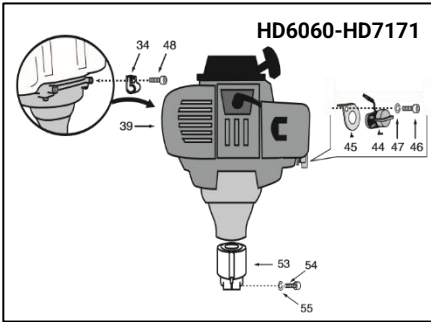
BLADES	2050		2051		2052		2053		2054		2055		2056	
	FT	M	FT	M	FT	M	FT	M	FT	M	FT	M	FT	M
LENGTH	4	1,22	6	1,8	8	2,44	10	3	12	3,66	14	4,27	16	4,88
WEIGHT	LB	KG	LB	KG	LB	KG	LB	KG	LB	KG	LB	KG	LB	KG
	6.7	3	10.1	4.6	13.4	6.1	16.8	7.63	20.2	9.16	23.5	10.68	26.9	11.77



PART NUMBERS BY MODEL

	DESCRIPTION	QTY	MODEL HD6060	QTY	MODEL HD6161	QTY	MODEL HD7070	QTY	MODEL HD7171	QTY	MODEL HD8080	QTY	MODEL HD8181
1	PLASTIC SPACER	2	10002	2	10002	2	10002	2	10002	2	10002	2	10002
2	VIBRO MOUNT	2	10003			2	10003			2	10003		
3	SEAL	1	10005	1	10005	1	10005	1	10005	1	10005	1	10005
4	GREASE FITTING	1	10008	1	10008	1	10008	1	10008	1	10008	1	10008
5	RUBBER COVER	1	10009-2	1	10009-2	1	10009-2	1	10009-2	1	10009-2	1	10009-2
6	HANDLE (RED BASE)	1	50004	1	50004	1	50004	1	50004	1	50004	1	50004
7	HOUSING WEIGHT	1	50003	1	50003	1	50003	1	50003	1	50003	1	50003
8	BOLT 1/2" NF x 1-3/4"	2	10017	2	10017	2	10017	2	10017	2	10017	2	10017
9	NUT 1/2" NF	2	10018	2	10018	2	10018	2	10018	2	10018	2	10018
10	FLAT WASHER 1/2"	4	10019	4	10019	4	10019	4	10019	4	10019	4	10019
11	WASHER 8 MM	4	10023	4	10023	4	10023	4	10023	4	10023	4	10023
12	NUT 8 MM	16	10024	16	10024	16	10024	16	10024	16	10024	16	10024
13	SHAFT ASSY	1	10026	1	10026	1	10026	1	10026	1	10026	1	10026
14	COUNTER WEIGHT	1	10027	1	10027	1	10027	1	10027	1	10027	1	10027
15	X-TRA VIBRO MOUNT			2	11003			2	11003			2	11003
17	HOUSING SHAFT	1	50001-2	1	50001-2	1	50001-2	1	50001-2	1	50001-2	1	50001-2
18	DRIVE SHAFT	1	20003-5050	1	20003-5050	1	20003-5050	1	20003-5050	1	20003-5050	1	20003-5050
19	CIRCLIP 13 MM	1	20004	1	20004	1	20004	1	20004	1	20004	1	20004
20	BEARING	2	20005	2	20005	2	20005	2	20005	2	20005	2	20005
21	CIRCLIP 29 MM	2	20006	2	20006	2	20006	2	20006	2	20006	2	20006
24	DRIVE AXLE	1	20009	1	20009	1	20009	1	20009	1	20009	1	20009
25	THROTTLE CONTROL	1	20010	1	20010	1	20010	1	20010	1	20010	1	20010
26	THROTTLE CABLE - STD	1	20011	1	20011								
27	THROTTLE CABLE - LONG					1	20011-L	1	20011-L	1	20011-L	1	20011-L
26	GRIP	2	20012	2	20012	2	20012	2	20012	2	20012	2	20012
28	STAND	1	20013-1	1	20013-1	1	20013-1	1	20013-1	1	20013-1	1	20013-1
29	STAND RUBBER	1	20014	1	20014	1	20014	1	20014	1	20014	1	20014
30	CIRCLIP 1-1/2"	1	20016	1	20016	1	20016	1	20016	1	20016	1	20016
31	BOLT 1/4"	1	20017	1	20017	1	20017	1	20017	1	20017	1	20017
32	NUT 1/4"	1	20018	1	20018	1	20018	1	20018	1	20018	1	20018
33	NYLON WASHER 6 MM	2	20023	2	20023	2	20023	2	20023	2	20023	2	20023
34	THROTTLE CABLE CLIP	1	20024	1	20024	1	20024	1	20024	1	20024	1	20024
35	TIE RAP	1	20026	1	20026	1	20026	1	20026	1	20026	1	20026
36	POP RIVET 1/8" x 3/8"	2	20027	2	20027	2	20027	2	20027	2	20027	2	20027
37-1	HANDLES - GRIP SECTION					2	20032-2	2	20032-2	2	20032-2	2	20032-2
37-2	HANDLES - LONG SECTION					2	20032-3	2	20032-3	2	20032-3	2	20032-3
37-3	HANDLES (HD6060) - LONG SECTION	2	20032-4	2	20032-4								
38	CLIP FOR HANDLES	2	20033	2	20033	4	20033	4	20033	4	20033	4	20033
39	HONDA ENG. GX35 TSM3	1	50000	1	50000	1	50000	1	50000				
44	ON OFF SWITCH HONDA	1	40005	1	40005	1	40005	1	40005	1	40005	1	40005
45	SWITCH BRACKET HONDA	1	40006	1	40006	1	40006	1	40006	1	40006	1	40006
46	BOLT M4 FOR 40006	1	40007	1	40007	1	40007	1	40007	1	40007	1	40007
47	LOCK FOR 40007	1	40008	1	40008	1	40008	1	40008	1	40008	1	40008
48	BOLT FOR 20024 HONDA	1	40010	1	40010	1	40010	1	40010	1	40010	1	40010
50	TIE RAP	1	20040	1	20040	1	20040	1	20040	1	20040	1	20040
51	CAP FOR 50002	8	50005	8	50005	8	50005	8	50005	8	50005	8	50005
52	ANTI VIBRATION SEAL	1	50002	1	50002	1	50002	1	50002	1	50002	1	50002
53	ENGINE ADAPTOR	1	50006	1	50006	1	50006	1	50006				
54	BOLT M6 FOR 50006	1	40002	1	40002	1	40002	1	40002				
55	LOCK M6 FOR 50006	1	40004	1	40004	1	40004	1	40004				
56	HOUSING SHAFT SEAL	1	50008	1	50008	1	50008	1	50008	1	50008	1	50008
57	RUBBER TUBE	1	50009	1	50009	1	50009	1	50009	1	50009	1	50009
58	CLUTCH HOUSING FOR HONDA GX25									1	51025	1	51025
59	BOLT M6 AND LOCK FOR 51025									4	51026	4	51026
60	HONDA ENG. GX25 NTXT3									1	51000	1	51000

MAGIC SCREED



MAGIC SCREED PARTS ASSEMBLY
DA 4050 THROTTLE CABLE ASSEMBLY - STD

PART NUMBER	QTY	DESCRIPTION
20011	1	THROTTLE CABLE - STD
20010	1	THROTTLE CONTROL
20026	1	TIE RAP


DA 4051 THROTTLE CABLE ASSEMBLY - LONG

PART NUMBER	QTY	DESCRIPTION
20011-L	1	THROTTLE CABLE - LONG
20010	1	THROTTLE CONTROL
20026	1	TIE RAP


DA 4055 RUBBER COVER ASSEMBLY

PART NUMBER	QTY	DESCRIPTION
10009-2	1	RUBBER COVER
20040	1	TIE RAP


DA 4057 GRIP ASSEMBLY

PART NUMBER	QTY	DESCRIPTION
20012	1	GRIP - SET OF 2


DA 4059 VIBRO MOUNTS

PART NUMBER	QTY	DESCRIPTION
10003	2	VIBRO MOUNTS
10024	8	NUT 8 MM
10023	4	WASHER 8 MM

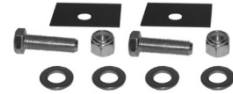

DA 4059-X X-TRA VIBRO MOUNTS

PART NUMBER	QTY	DESCRIPTION
11003	2	X-TRA VIBRO MOUNTS
10024	8	NUT 8 MM
10023	4	WASHER 8 MM



DA 4061 BOLT & NUT ½"

PART NUMBER	QTY	DESCRIPTION
10018	2	NUT ½ "NF
10017	2	BOLT ½" NF x 1 - ¾ "
10019	4	FLAT WASHER ½"
10002	2	PLASTIC SPACER


DA 4064 BEARING FOR DRIVE SHAFT

PART NUMBER	QTY	DESCRIPTION
20005	2	BEARING
20004	1	CIRCLIP 13 MM
20006	2	CIRCLIP 29 MM
50008	1	HOUSING SHAFT SEAL


DA 4067 BEARING FOR HOUSING WEIGHT

PART NUMBER	QTY	DESCRIPTION
10026	1	SHAFT ASSY.
20016	1	CIRCLIP 1 - ½"
10005	1	SEAL
10008	1	GREASE FITTING


DA 4077 DRIVE AXLE

PART NUMBER	QTY	DESCRIPTION
20009	1	DRIVE AXLE


DA 4080 DRIVE SHAFT ASSEMBLY HONDA

PART NUMBER	QTY	DESCRIPTION
20003-5050	1	DRIVE SHAFT
20005	2	BEARING
20006	2	CIRCLIP 29 MM
20004	1	CIRCLIP 13 MM
50008	1	HOUSING SHAFT SEAL



DA 4088 STAND ASSEMBLY

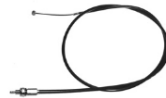
PART NUMBER	QTY	DESCRIPTION
20013-1	1	STAND
20018	1	NUT ¼"
20023	2	NYLON WASHER 6 MM
20017	1	BOLT ¼"
20014	1	STAND RUBBER
20027	2	POP RIVET 1/8" x 3/8"
50009	1	RUBBER TUBE


DA 4090 THROTTLE CABLE - LONG

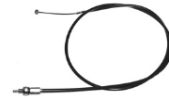
PART NUMBER	QTY	DESCRIPTION
20011-L	1	THROTTLE CABLE - LONG


DA 4091 THROTTLE CABLE - STD

PART NUMBER	QTY	DESCRIPTION
20011	1	THROTTLE CABLE - STD


DA 4095 THROTTLE CABLE - LONG – BAG OF 10

ART NUMBER	QTY	DESCRIPTION
20011-L	10	THROTTLE CABLE LONG


DA 4096 THROTTLE CABLE - STD – BAG OF 10

PART NUMBER	QTY	DESCRIPTION
20011	10	THROTTLE CABLE STD


DA 4097 ALLEN 6MM 5 MM

PART NUMBER	QTY	DESCRIPTION
10056	1	ALLEN 6MM 5MM


DA 4098 TIE RAP FOR 10009-2– BAG OF 10

PART NUMBER	QTY	DESCRIPTION
20040	10	TIE RAP



DA 4099 TIE RAP FOR HANDLES – BAG OF 10

PART NUMBER	QTY	DESCRIPTION
20026	10	TIE RAP


DA 4100 ANTI-VIBRATION SEAL

PART NUMBER	QTY	DESCRIPTION
50002	1	ANTI-VIBRATION SEAL
10024	8	NUT 8 MM


DA 4101 – CAPS – BAG OF 8

PART NUMBER	QTY	DESCRIPTION
50005	8	CAP FOR 8MM NUT


DA 4102 HOUSING WEIGHT ASSEMBLY

PART NUMBER	QTY	DESCRIPTION
10002	2	PLASTIC SPACER
10005	1	SEAL
10008	1	GREASE FITTING
10009-2	1	RUBBER COVER
10017	2	BOLT ½" NF X 1 - ¾"
10018	2	NUT ½ "NF
10019	4	FLAT WASHER ½"
10026	1	SHAFT ASSY
10027	1	COUNTERWEIGHT
20016	1	CIRCLIP 1 – ½"
20040	1	TIE RAP
50003	1	HOUSING WEIGHT


DA 4103-2 HOUSING SHAFT ASSEMBLY

PART NUMBER	QTY	DESCRIPTION
20003-5050	1	DRIVE SHAFT
20004	1	CIRCLIP 13 MM
20005	2	BEARING
20006	2	CIRCLIP 29 MM
50001-2	1	HOUSING SHAFT
50008	1	HOUSING SHAFT SEAL





**DECLARATION OF CONFORMITY
MAGIC SCREED INC.**

DECLARES THAT THE EQUIPEMENT

TYPE: Vibrating screed for leveling concrete

MODEL: Magic Screed HD6060 - HD 6161
HD7070 - HD7171
HD8080 - HD8181

SERIAL NUMBER: _____

IS IN ACCORDANCE WITH THE DIRECTIONS:

2006/42/EC, 2004/108/EC

HAS BEEN MANUFACTURED ACCORDING TO THE STANDARDS:

BS EN 12649 : 2008 + A1 : 2011.

EN 12100-1 : 2003, EN12100-2 : 2003

Magic Screed : 630 rue de l'Argon, Québec, Qc, Canada, G2N 2J6

TEL : 418 849-5037 www.magicscreed.com

By : Benoit Rouillard



4795 rue Louis-B.-Mayer Laval, Québec
Canada H7P 6G5

Sales Office

International: +1 (450) 978-0200

USA: 870-236-7751

Plant

+1 (418) 849-5037

Visit our Website:

www.magicscreed.com

E-Mail:

info@magicscreed.com



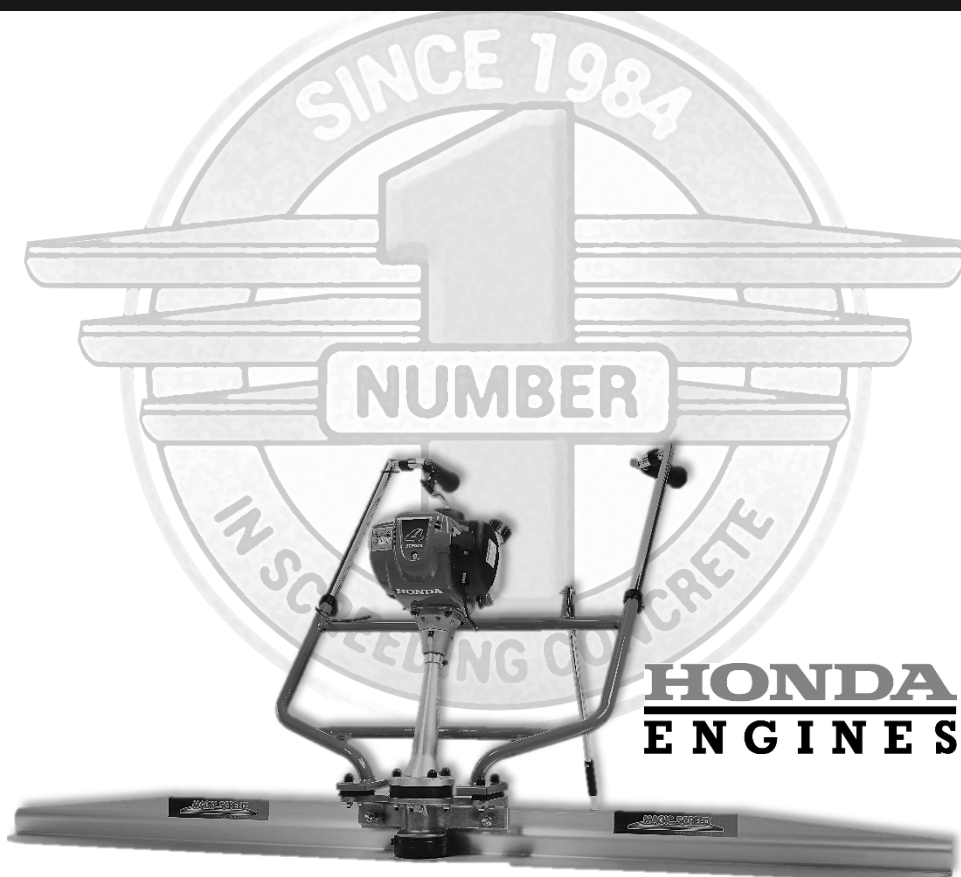
#MyMagicScreed





LIVRE DE PIÈCES & MANUEL DE L'UTILISATEUR

HD6060 - HD6161 - HD7070 - HD7171 - HD8080 - HD8181



SCANNER POUR ACCÉDER AUX
RESSOURCES EN LIGNE!



#MyMagicScreed



WWW.MAGICSCREED.COM



LIVRE DE PIÈCES & MANUEL DE L'UTILISATEUR

Bienvenue dans la famille Magic Screed!

Ce manuel contient toutes les informations nécessaires pour utiliser les modèles *Magic Screed* **HD6060-HD6161, HD7070-HD7171 et HD8080-HD8181**, équipés du moteur *Honda GX25 ou GX35*.

Pour toute autre question, service ou commande de pièce de rechange, contactez-nous:

- **Téléphone:** +1(450)-978-0200 (**Géroquip**)
- **Courriel:** info@magicscreed.com

Magic Screed est fabriquée pour les entrepreneurs ayant besoin d'un outil fiable, simple d'utilisation et offrant une haute productivité pour niveler et lisser le béton humide. **Toute utilisation non conforme peut entraîner des dommages à l'équipement, des blessures graves, voire la mort.**

Il est malheureusement impossible d'identifier tous les risques associés à l'utilisation ou à l'entretien d'une *Magic Screed*. **Il est essentiel de faire preuve de bon jugement.**

Ce manuel, ainsi que celui du moteur Honda fourni avec votre *Magic Screed*, doivent toujours demeurer avec l'équipement. Ce manuel inclut les instructions de sécurité, les procédures d'assemblage, d'entretien, ainsi qu'une liste complète des pièces.

Pour votre propre sécurité ainsi que celle de vos collègues, il est requis que toute personne ayant à opérer ou à faire l'entretien de la règle lise et comprenne les instructions de sécurité de ce manuel. **Toute omission pourrait entraîner des bris d'équipement, des blessures corporelles ou même la mort.**

TABLE DES MATIÈRES

Instructions générales de sécurité	p. 3
Entretien et maintenance	p. 3
Procédures d'assemblage	p. 6
Procédures d'opération et de sécurité	p. 7
Options de moteurs et lames	p. 8
Numéros de pièce par modèle	p. 9
Assemblage de pièces Magic Screed	p. 11
Déclaration de conformité	p. 15

INSTRUCTIONS GÉNÉRALES DE SÉCURITÉ

1. **Lire et comprendre les deux manuels:** Assurez-vous que le manuel de l'utilisateur et le manuel Honda accompagnant l'équipement sont lus et parfaitement compris avant toute utilisation ou entretien. Tous les opérateurs doivent être informés des risques et des précautions de sécurité.
 - a. Ne laissez jamais personne utiliser cet équipement sans formation adéquate.
 - b. Ayez toujours ces manuels à portée de main pour consultation.
2. **Équipement de protection:** Porter l'équipement de sécurité requis (selon votre réglementation locale)
 - a. **Ayez une trousse de premiers secours complète à proximité en cas de blessure.**
3. **Pièces mobiles:** Ne mettez jamais vos mains directement sur une pièce mobile ou vibrante.
4. **Brûlures:** Laissez le moteur refroidir avant de le toucher pour éviter les brûlures.
5. **Pièces:** Utilisez uniquement des pièces et accessoires recommandés par *Magic Screed*. L'utilisation de pièces non autorisées peut causer des dommages ou des blessures.
6. **Moteur à combustion:** Les gaz d'échappement contiennent du monoxyde de carbone, un gaz toxique.
 - a. Évitez d'inhaler les gaz d'échappement.
 - b. N'utilisez jamais le moteur dans un espace fermé sans ventilation adéquate.

ÉQUIPEMENT DE PROTECTION

-  Casque rigide
-  Bottes protectrices
-  Protection auditive
-  Lunettes protectrices
-  Gants

⚠ WARNING

Le Monoxyde de carbone est toxique. Le respirer pourrait vous rendre inconscient ou même causer la mort. Éviter toute action ou endroit qui pourrait vous exposer au monoxyde de carbone.

ENTRETIEN ET MAINTENANCE

Votre règle vibrante doit être démontée fréquemment pour un nettoyage approprié afin d'éviter l'accumulation de béton, qui pourrait **endommager prématurément votre équipement**. La garantie ne couvre pas les dommages ou problèmes liés à un entretien ou un nettoyage négligé.

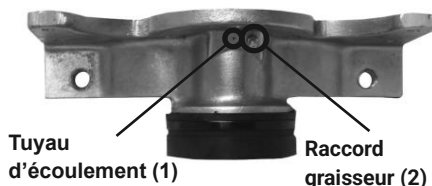
Avant tout entretien:

- Arrêtez le moteur et assurez-vous que toutes les pièces sont immobiles.
- Retirez le capuchon de la bougie d'allumage. (Consultez le manuel Honda p. 11)
- Si le moteur a marché, laissez-le refroidir pendant 15 à 20 minutes avant de le toucher.

Graissage: Le logement du contrepois doit être graissé environ toutes les dix heures d'utilisation. **NE PAS SURGRAISSER.**

LOGEMENT DU CONTREPOIS

- Avant de graisser, nettoyez le **tuyau d'écoulement (1)** près du **raccord graisseur (2)** pour éviter qu'une pression s'exerce sur le roulement à bille, ce qui pourrait bloquer ou endommager le logement du contrepois.



Nettoyage de la règle : La règle doit être nettoyée après chaque journée de travail pour éviter l'accumulation de béton. Un nettoyage plus approfondi doit également être effectué régulièrement.

- Lavez la règle à l'eau sans mouiller le moteur. Une brosse dure est efficace pour enlever le béton durci. Pour nettoyer et entretenir le moteur, consultez le [manuel Honda, p.10](#).
- Démontez la lame et nettoyez toute accumulation de béton.
- Retirez le logement du contrepois de la poignée (base rouge) et nettoyez le béton sous celle-ci et dans le logement de l'arbre.
- Retirez le couvercle en caoutchouc du logement et nettoyez toute accumulation de béton ou de graisse pour permettre le libre mouvement du contrepois.
- Remplacez toutes les pièces en veillant à ce que les **espaceurs en plastique soient bien positionnés entre la lame et le logement du contrepois. Serrez la lame conformément à la procédure d'assemblage, avec un couple de serrage de 90 lb-pi.**

Sécurité lors du ravitaillement d'essence: Ravitailler avec soin.

- Arrêtez le moteur et laissez-le refroidir avant de ravitailler.
- Faites le plein à l'extérieur, dans un endroit bien ventilé. Gardez toute source de chaleur, étincelles et flammes à distance.
- Ne fumez jamais près de l'essence.
- Stockez toujours l'essence dans des conteneurs homologués.
- Nettoyez immédiatement tout carburant renversé avant de démarrer le moteur.
- Vérifiez les conduites de carburant et le réservoir pour détecter des fuites ou fissures avant de démarrer.
- Le moteur Honda nécessite de **l'essence sans plomb avec un indice d'octane de 86 ou plus**. Consultez le [manuel Honda, p.8](#).
- **Attention:** Le moteur ne contient pas d'huile. Pour vérifier le niveau d'huile, consultez le [manuel Honda, p.9](#).

⚠ WARNING

L'essence est extrêmement inflammable et explosive.

Vous pouvez vous brûler ou vous blesser sérieusement en manipulant de l'essence.

- Arrêter le moteur et garder toute source de chaleur, flamme ou étincelle loin.
- Manipuler l'essence à l'extérieur seulement.
- Ramasser les débris



Collants d'avertissements

- Assurez-vous que toutes les étiquettes de sécurité et d'avertissement sont visibles et intactes.
- Remplacez immédiatement les étiquettes manquantes ou endommagées avant d'utiliser l'équipement.

ÉTIQUETTE DESCRIPTIVE → Poignée gauche		ÉTIQUETTE CHAUD → Près de l'échappement														
<table border="1"> <tr> <td rowspan="4"> MAGIC SCREED 630 RUE DE L'ARGON Québec, (Québec) CANADA, G2N 2J6 </td> <td>MODEL</td> <td>7070</td> <td>ENGINE ASSY.</td> </tr> <tr> <td>YEAR</td> <td>2024</td> <td>MASS 13.70 KG</td> </tr> <tr> <td>ENGINE</td> <td>HONDA</td> <td>RPM 8500</td> </tr> <tr> <td>35CC</td> <td>GX 35</td> <td>KW 1.1 KW</td> </tr> </table>		MAGIC SCREED 630 RUE DE L'ARGON Québec, (Québec) CANADA, G2N 2J6	MODEL	7070	ENGINE ASSY.	YEAR	2024	MASS 13.70 KG	ENGINE	HONDA	RPM 8500	35CC	GX 35	KW 1.1 KW		
MAGIC SCREED 630 RUE DE L'ARGON Québec, (Québec) CANADA, G2N 2J6	MODEL		7070	ENGINE ASSY.												
	YEAR		2024	MASS 13.70 KG												
	ENGINE		HONDA	RPM 8500												
	35CC	GX 35	KW 1.1 KW													
ÉTIQUETTE ÉQUIPEMENT DE SÉCURITÉ → Poignée gauche		ÉTIQUETTE ARRÊT DU MOTEUR → Réservoir d'essence														

Pièces de remplacement: Utilisez uniquement des pièces et accessoires recommandés par *Magic Screed*. L'utilisation de pièces non autorisées peut entraîner des dommages à l'équipement ou des blessures. Remplacez immédiatement les pièces endommagées. *N'utilisez jamais la règle vibrante avec une pièce endommagée.*

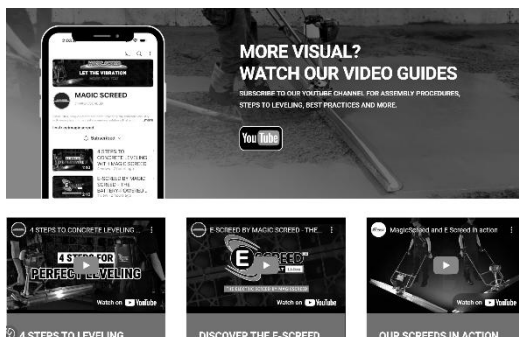
Entreposage et soins à long terme :

- Rangez la règle vibrante dans un endroit propre et sec, à l'abri des enfants.
 - Effectuez des inspections régulières avant de ranger la règle pour être sûr qu'elle soit prête pour une utilisation future.
- Consultez le manuel d'utilisateur Honda pour des instructions spécifiques liés à l'entretien du moteur.

→ Pour plus d'information, vidéos ou tutoriels, visitez la section ressources de notre site web!

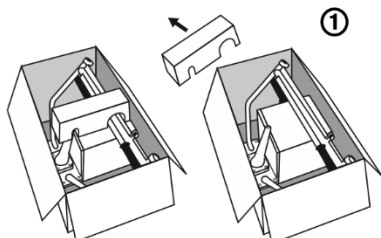


www.magicscreed.com

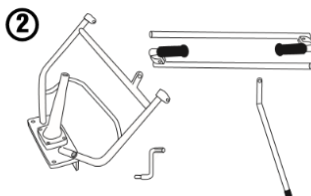


PROCÉDURES D'ASSEMBLAGE

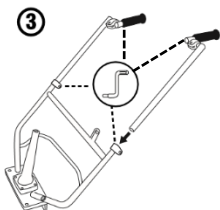
1. Retirez la mousse de protection de la boîte.



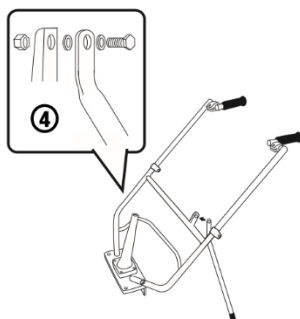
2. Retirez les deux poignées, la béquille de soutien et la base rouge (assemblée avec le logement du contrepois et de l'arbre pour moteur.)



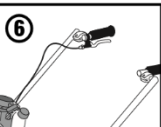
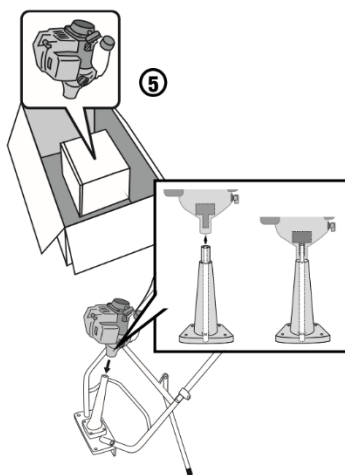
3. Insérez les poignées dans la base rouge (manette des gaz du côté droit) et serrez les collets. Ne pas trop serrer. Ajustez et serrez les poignées 360° au confort.



4. Placez la béquille avec le côté plat contre le support, en veillant à ce qu'une rondelle en nylon soit positionnée de chaque côté.

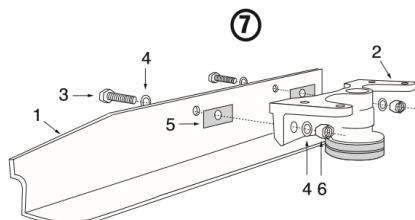


5. Retirez le moteur de la mousse de protection. Placez le moteur sur le logement de l'arbre. Assurez-vous que l'arbre d'entraînement est inséré dans l'adaptateur du moteur et serrez. (Ne pas trop serrer.)



6. Insérez l'extrémité arrondie du câble d'accélérateur dans la manette des gaz et ajustez de manière à ce que la poignée en caoutchouc devienne le stoppeur.

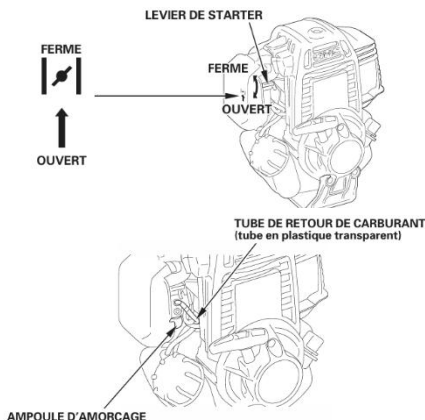
7. Assemblez la lame (1) sur le logement du contrepois de la règle (2) dans l'ordre suivant : boulons (3), rondelles plates (4), lame (1), espaceurs en plastique (5), rondelles plates (4), écrous (6). (Voir le schéma). Serrez l'ensemble à un couple d'environ 90 Lbs. Il est très important que les espaceurs en plastique soient toujours entre le logement du contrepois et la lame. Elles servent de coussin et préviennent l'endommagement de la lame. Si les deux ne sont pas en place, cela pourrait annuler la garantie. Des espaceurs en plastique de remplacement sont disponibles chez votre dealer *Magic Screed*.



PROCÉDURES D'OPÉRATION ET DE SÉCURITÉ

- 1. Avant de démarrer:** Vérifiez le niveau d'essence, le niveau d'huile, l'état du filtre à air et l'état de la règle (ex : pièces endommagées, graissage, collants).
- 2. Procédure de démarrage:** La procédure complète de démarrage se trouve dans le *manuel Honda, p. 4.*

- **Moteur froid:** Déplacez le levier de starter en position **FERMÉ**.
- **Moteur chaud:** Laissez le levier de starter en position **OUVERT**.
- **Amorçage du moteur:** Appuyez sur l'ampoule d'amorçage répétitivement jusqu'à ce que du carburant soit visible dans le tube de retour de carburant.
- **Allumage du moteur:** Basculer l'interrupteur ON/OFF à **ON**. (Côté gauche sous le carburateur)



- **Poignée du démarreur:** Tirez doucement sur la poignée du démarreur jusqu'à ce que vous sentiez une résistance, puis tirez vivement.
- **Réglage du levier de starter:** Si le levier de starter était **FERMÉ**, déplacez-le progressivement en position **OUVERT** lorsque le moteur réchauffe.

- 3. Nivelage:** (Pour des images et vidéos plus détaillées sur l'utilisation règle, visitez notre site web: www.magicscreed.com/the-steps)

- **Placer le béton:** Répartissez le béton aussi uniformément que possible à l'aide de râtaux.
- **Points de nivellement:** Marquez 4 points de nivellement à une distance correspondant à la longueur de la lame utilisée.
- **Marquage:** Utilisez votre Magic Screed pour niveler entre les coussins humides des deux côtés du chemin central non nivelé.
- **Nivellement:** Avec l'aide de 1 ou 2 racleurs qui ajoutent ou retirent du béton au besoin, nivelez la section préparée du béton. N'utilisez qu'environ la moitié de la vitesse des gaz pour le meilleur résultat.

- 4. Pour arrêter:** Relâchez lentement la poignée des gaz.
 - Laissez le moteur tourner au ralenti pendant quelques minutes avant d'éteindre l'interrupteur ON/OFF.
- 5. Nettoyage:** Laissez le moteur refroidir avant de nettoyer votre Magic Screed. Nettoyez votre règle après chaque utilisation selon les instructions de la page 4.
- 6. Transport:** Si le moteur a fonctionné, laissez-le refroidir pendant au moins 15 minutes avant de charger la règle sur un véhicule. Un moteur chaud peut causer des brûlures ou enflammer certains matériaux.

OPTIONS DE MOTEURS ET LAMES

MOTEURS À GAZ

NUMÉRO	MOTEURS	PARTICULARITÉS
HD6060	HONDA 4-TEMPS OHC GX35 TMS3	Poignées ajustables en hauteur seulement
HD6161	HONDA 4-TEMPS OHC GX35 TMS3	Poignées ajustables en hauteur seulement et supports vibrants X-TRA
HD7070	HONDA 4-TEMPS OHC GX35 TMS3	Poignées ajustables en hauteur et à 360°
HD7171	HONDA 4-TEMPS OHC GX35 TMS3	Poignées ajustables en hauteur et à 360° et supports vibrants X-TRA
HD8080	HONDA 4-TEMPS OHC GX25 NTXT3	Poignées ajustables en hauteur et à 360°
HD8181	HONDA 4-TEMPS OHC GX25 NTXT3	Poignées ajustables en hauteur et à 360° et supports vibrants X-TRA



LAMES

- Aluminium extrudé
- S'assemble sur chaque type de moteur
- Autres grandeurs disponible

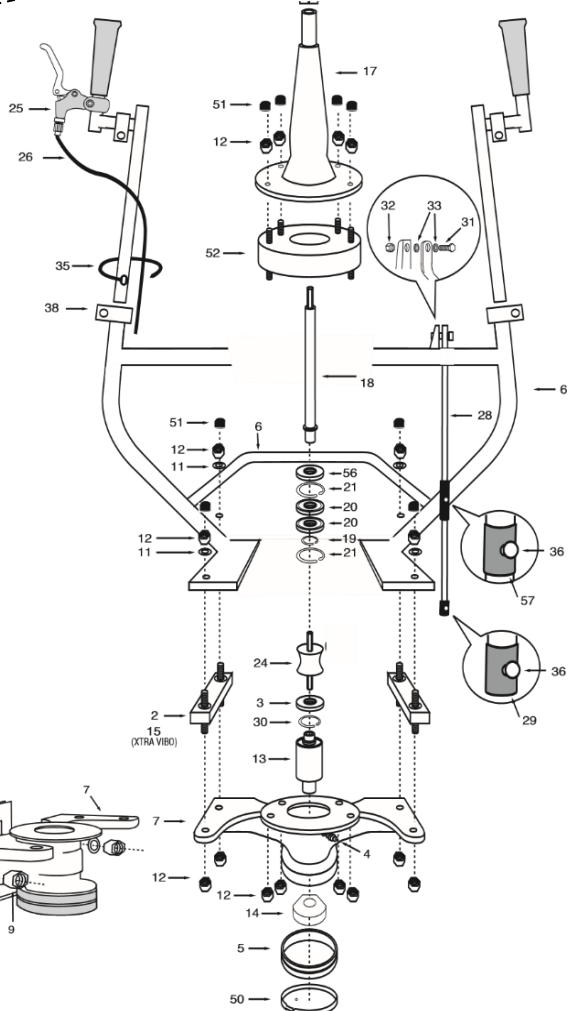
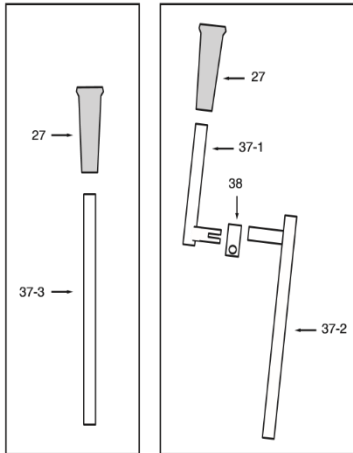
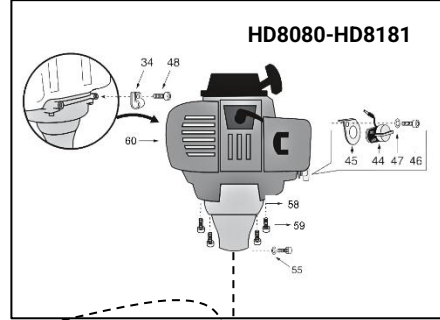
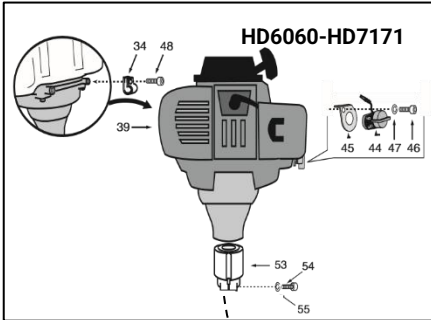


LAMES	2050		2051		2052		2053		2054		2055		2056	
LONGUEUR	FT	M	FT	M	FT	M	FT	M	FT	M	FT	M	FT	M
	4	1,22	6	1,8	8	2,44	10	3	12	3,66	14	4,27	16	4,88
POIDS	LB	KG	LB	KG	LB	KG	LB	KG	LB	KG	LB	KG	LB	KG
	6.7	3	10.1	4.6	13.4	6.1	16.8	7.63	20.2	9.16	23.5	10.68	26.9	11.77

NUMÉRO DE PIÈCES PAR MODÈLE

	DESCRIPTION	QTÉ	MODÈLE HD6060	QTÉ	MODÈLE HD6161	QTÉ	MODÈLE HD7070	QTÉ	MODÈLE HD7171	QTÉ	MODÈLE HD8080	QTÉ	MODÈLE HD8181
1	ESPACEUR EN PLASTIQUE	2	10002	2	10002	2	10002	2	10002	2	10002	2	10002
2	SUPPORT DE VIBRATION	2	10003			2	10003				2	10003	
3	JOINT D'ÉTANCHÉITÉ	1	10005	1	10005	1	10005	1	10005	1	10005	1	10005
4	RACCORD GRAISSEUR	1	10008	1	10008	1	10008	1	10008	1	10008	1	10008
5	COUVERCLE EN CAOUTCHOUC	1	10009-2	1	10009-2	1	10009-2	1	10009-2	1	10009-2	1	10009-2
6	POIGNÉE (BASE ROUGE)	1	50004	1	50004	1	50004	1	50004	1	50004	1	50004
7	LOGEMENT DU CONTREPOIDS	1	50003	1	50003	1	50003	1	50003	1	50003	1	50003
8	BOULON 1/2" NF X 1-3/4"	2	10017	2	10017	2	10017	2	10017	2	10017	2	10017
9	ÉCROU 1/2" NF	2	10018	2	10018	2	10018	2	10018	2	10018	2	10018
10	RONDELLE PLATE 1/2"	4	10019	4	10019	4	10019	4	10019	4	10019	4	10019
11	RONDELLE 8 MM	4	10023	4	10023	4	10023	4	10023	4	10023	4	10023
12	ÉCROU 8 MM	16	10024	16	10024	16	10024	16	10024	16	10024	16	10024
13	ROULEMENT À BILLE DU CONTREPOIDS	1	10026	1	10026	1	10026	1	10026	1	10026	1	10026
14	CONTREPOIDS	1	10027	1	10027	1	10027	1	10027	1	10027	1	10027
15	SUPPORT VIBRANT XTRA			2	11003			2	11003			2	11003
17	LOGEMENT DE L'ARBRE POUR MOTEUR	1	50001-2	1	50001-2	1	50001-2	1	50001-2	1	50001-2	1	50001-2
18	ARBRE D'ENTRAÎNEMENT	1	20003-5050	1	20003-5050	1	20003-5050	1	20003-5050	1	20003-5050	1	20003-5050
19	BAGUE D'ARRÊT 13 MM	1	20004	1	20004	1	20004	1	20004	1	20004	1	20004
20	ROULEMENT À BILLE DE L'ARBRE	2	20005	2	20005	2	20005	2	20005	2	20005	2	20005
21	BAGUE D'ARRÊT 29 MM	2	20006	2	20006	2	20006	2	20006	2	20006	2	20006
24	ESSIEU D'ENTRAÎNEMENT	1	20009	1	20009	1	20009	1	20009	1	20009	1	20009
25	MANETTE DES GAZ	1	20010	1	20010	1	20010	1	20010	1	20010	1	20010
26	CÂBLE MANETTE DES GAZ - STD	1	20011	1	20011								
26	CÂBLE MANETTE DES GAZ - LONG					1	20011-L	1	20011-L	1	20011-L	1	20011-L
27	POIGNÉES EN CAOUTCHOUC	2	20012	2	20012	2	20012	2	20012	2	20012	2	20012
28	BÉQUILLE DE SUPPORT	1	20013-1	1	20013-1	1	20013-1	1	20013-1	1	20013-1	1	20013-1
29	CAOUTCHOUC DE LA BÉQUILLE	1	20014	1	20014	1	20014	1	20014	1	20014	1	20014
30	BAGUE D'ARRÊT 1-1/2"	1	20016	1	20016	1	20016	1	20016	1	20016	1	20016
31	BOULON 1/4"	1	20017	1	20017	1	20017	1	20017	1	20017	1	20017
32	ÉCROU 1/4"	1	20018	1	20018	1	20018	1	20018	1	20018	1	20018
33	RONDELLE DE NYLON 6 MM POUR BÉQUILLE	2	20023	2	20023	2	20023	2	20023	2	20023	2	20023
34	AGRAFE DE NYLON POUR CÂBLE DES GAZ	1	20024	1	20024	1	20024	1	20024	1	20024	1	20024
35	COLLIER DE SERRAGE POUR POIGNÉES	1	20026	1	20026	1	20026	1	20026	1	20026	1	20026
36	RIVET 1/8" x 3/8"	2	20027	2	20027	2	20027	2	20027	2	20027	2	20027
37-1	POIGNÉE - SECTION GRIP					2	20032-2	2	20032-2	2	20032-2	2	20032-2
37-2	POIGNÉE - SECTION LONGUE					2	20032-3	2	20032-3	2	20032-3	2	20032-3
37-3	POIGNÉE (HD6060) - SECTION LONGUE	2	20032-4	2	20032-4								
38	AGRAFE POUR POIGNÉES	2	20033	2	20033	4	20033	4	20033	4	20033	4	20033
39	MOTEUR HONDA GX35 TSM3	1	50000	1	50000	1	50000	1	50000				
44	INTERRUPTEUR ON/OFF HONDA	1	40005	1	40005	1	40005	1	40005	1	40005	1	40005
45	SUPPORT D'INTERRUPTEUR HONDA	1	40006	1	40006	1	40006	1	40006	1	40006	1	40006
46	BOULON M4 POUR 40006	1	40007	1	40007	1	40007	1	40007	1	40007	1	40007
47	BARRURE 5MM POUR 40007	1	40008	1	40008	1	40008	1	40008	1	40008	1	40008
48	BOULON POUR 20024 HONDA	1	40010	1	40010	1	40010	1	40010	1	40010	1	40010
50	COLLIER DE SERRAGE POUR 10009-2	1	20040	1	20040	1	20040	1	20040	1	20040	1	20040
51	CAPUCHON POUR ÉCROU 8MM	8	50005	8	50005	8	50005	8	50005	8	50005	8	50005
52	CAOUTCHOUC D'ÉTANCHÉITÉ ANTI-VIBRATION	1	50002	1	50002	1	50002	1	50002	1	50002	1	50002
53	ADAPTEUR MOTEUR	1	50006	1	50006	1	50006	1	50006				
54	BOULON M6 POUR 50006	1	40002	1	40002	1	40002	1	40002				
55	BARRURE M6 POUR 50006	1	40004	1	40004	1	40004	1	40004				
56	JOINT D'ÉTANCHÉITÉ POUR L'ARBRE	1	50008	1	50008	1	50008	1	50008	1	50008	1	50008
57	TUBE EN CAOUTCHOUC	1	50009	1	50009	1	50009	1	50009	1	50009	1	50009
58	CARTER D'EMBRAYAGE POUR HONDA GX25									1	51025	1	51025
59	BOULONS M6 ET BARRURE POUR 51025									4	51026	4	51026
60	MOTEUR HONDA GX25 NTXT3									1	51000	1	51000

MAGIC SCREED



ASSEMBLAGE PIÈCES MAGIC SCREED
DA 4050 ASSEMBLAGE CÂBLE DES GAZ - STD

NUM. DE PIÈCE	QTÉ	DESCRIPTION
20011	1	CÂBLE MANETTE GAZ - STD
20010	1	MANETTE DES GAZ
20026	1	COLLIER DE SERRAGE


DA 4051 ASSEMBLAGE CÂBLE DES GAZ - LONG

NUM. DE PIÈCE	QTÉ	DESCRIPTION
20011-L	1	CÂBLE MANETTE GAZ - LONG
20010	1	MANETTE DES GAZ
20026	1	COLLIER DE SERRAGE


DA 4055 ASSEMBLAGE COUVERCLE EN CAOUTCHOUC

NUM. DE PIÈCE	QTÉ	DESCRIPTION
10009-2	1	COUVERCLE EN CAOUTCHOUC
20040	1	COLLIER DE SERRAGE


DA 4057 ASSEMBLAGE POIGNÉES EN CAOUTCHOUC

NUM. DE PIÈCE	QTÉ	DESCRIPTION
20012	1	POIGNÉES - 2 UNITÉS


DA 4059 SUPPORT DE VIBRATION

NUM. DE PIÈCE	QTÉ	DESCRIPTION
10003	2	SUPPORT DE VIBRATION
10024	8	ÉCROU 8 MM
10023	4	RONDELLE 8 MM

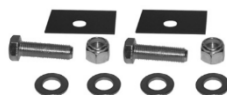

DA 4059-X SUPPORT VIBRANTS X-TRA

NUM. DE PIÈCE	QTÉ	DESCRIPTION
11003	2	SUPPORT VIBRANTS X-TRA
10024	8	ÉCROU 8 MM
10023	4	RONDELLE 8 MM



DA 4061 BOULON ET ÉCROU ½"

NUM. DE PIÈCE	QTÉ	DESCRIPTION
10018	2	ÉCROU ½" NF
10017	2	BOULON ½" NF X 1 - ¾"
10019	4	RONDELLE PLATE ½"
10002	2	ESPACEURS EN PLASTIQUE


DA 4064 ROULEMENT À BILLE DE L'ARBRE

NUM. DE PIÈCE	QTÉ	DESCRIPTION
20005	2	ROULEMENT À BILLE ARBRE
20004	1	BAGUE D'ARRÊT 13 MM
20006	2	BAGUE D'ARRÊT 29 MM
50008	1	JOINT D'ÉTANCHÉITÉ


DA 4067 ROULEMENT À BILLE DU CONTREPOIDS

NUM. DE PIÈCE	QTÉ	DESCRIPTION
10026	1	ROULEMENT À BILLE CONTREPOIDS
20016	1	BAGUE D'ARRÊT 1 - ½"
10005	1	JOINT D'ÉTANCHÉITÉ
10008	1	RACCORD GRAISSEUR


DA 4077 ESSIEU D'ENTRAÎNEMENT

NUM. DE PIÈCE	QTÉ	DESCRIPTION
20009	1	ESSIEU D'ENTRAÎNEMENT


DA 4080 ASSEMBLAGE ARBRE D'ENTRAÎNEMENT

NUM. DE PIÈCE	QTÉ	DESCRIPTION
20003-5050	1	ARBRE D'ENTRAÎNEMENT
20005	2	ROULEMENT À BILLE ARBRE
20006	2	BAGUE D'ARRÊT 29 MM
20004	1	BAGUE D'ARRÊT 13 MM
50008	1	JOINT D'ÉTANCHÉITÉ



DA 4088 ASSEMBLAGE BÉQUILLE DE SUPPORT

NUM. DE PIÈCE	QTÉ	DESCRIPTION
20013-1	1	BÉQUILLE DE SUPPORT
20018	1	ÉCROU ¼"
20023	2	RONDELLE EN NYLON 6MM
20017	1	BOULON ¼ "
20014	1	COUCHOUÇ DE LA BÉQUILLE
20027	2	RIVET 1/8" x 3/8"
50009	1	TUBE EN CAOUTCHOUC


DA 4090 CÂBLE MANETTE DES GAZ - LONG

NUM. DE PIÈCE	QTÉ	DESCRIPTION
20011-L	1	CÂBLE MANETTE GAZ - LONG


DA 4091 CÂBLE MANETTE DES GAZ - STD

NUM. DE PIÈCE	QTÉ	DESCRIPTION
20011	1	CÂBLE MANETTE GAZ - STD


DA 4095 CÂBLE MANETTE DES GAZ - LONG - 10 UNITÉS

NUM. DE PIÈCE	QTÉ	DESCRIPTION
20011-L	10	CÂBLE MANETTE GAZ - LONG


DA 4096 CÂBLE MANETTE DES GAZ - STD - 10 UNITÉS

NUM. DE PIÈCE	QTÉ	DESCRIPTION
20011	10	CÂBLE MANETTE GAZ - STD


DA 4097 CLÉ ANGLAISE 6MM 5 MM

NUM. DE PIÈCE	QTÉ	DESCRIPTION
10056	1	CLÉ ANGLAISE 6MM 5MM


DA 4098 COLLIER DE SERRAGE - 10009-2 - 10 UNITÉS

NUM. DE PIÈCE	QTÉ	DESCRIPTION
20040	10	COLLIER DE SERRAGE



DA 4099 COLLIER DE SERRAGE POIGNÉES – 10 UNITÉS

NUM. DE PIÈCE	QTÉ	DESCRIPTION
20026	10	COLLIER DE SERRAGE


DA 4100 CAOUTCHOUC D'ÉTANCHÉITÉ ANTI-VIBRATION

NUM. DE PIÈCE	QTÉ	DESCRIPTION
50002	1	CAOUTCHOUC D'ÉTANCHÉITÉ
10024	8	ÉCROU 8 MM


DA 4101 – CAPUCHONS POUR ÉCROU – 8 UNITÉS

NUM. DE PIÈCE	QTÉ	DESCRIPTION
50005	8	CAPUCHONS POUR ÉCROU


DA 4102 ASSEMBLAGE LOGEMENT DU CONTREPOIDS

NUM. DE PIÈCE	QTÉ	DESCRIPTION
10002	2	ESPACEURS EN PLASTIQUE
10005	1	JOINT D'ÉTANCHÉITÉ
10008	1	RACCORD GRAISSEUR
10009-2	1	COUVERCLE CAOUTCHOUC
10017	2	BOULON ½" NF X 1 - ¾"
10018	2	ÉCROU ½" NF
10019	4	RONDELLE PLATE ½"
10026	1	ROULEMENT À BILLE CONT.
10027	1	CONTREPOIDS
20016	1	BAGUE D'ARRÊT 1 - ½"
20040	1	COLLIER DE SERRAGE
50003	1	LOGEMENT DU CONTREPOIDS


DA 4103-2 ASSEMBLAGE LOGEMENT DE L'ARBRE

NUM. DE PIÈCE	QTÉ	DESCRIPTION
20003-5050	1	ARBRE D'ENTRAÎNEMENT
20004	1	BAGUE D'ARRÊT 13 MM
20005	2	ROUL. À BILLE DE L'ARBRE
20006	2	BAGUE D'ARRÊT 29 MM
50001-2	1	LOGEMENT DE L'ARBRE
50008	1	JOINT D'ÉTANCHÉITÉ





**DÉCLARATION DE CONFORMITÉ
MAGIC SCREED INC.**

DÉCLARE QUE L'ÉQUIPEMENT

TYPE: Niveleuse vibrante pour le béton

MODEL: Magic Screed HD6060 - HD 6161
HD7070 - HD7171
HD8080 - HD8181

NUMÉRO DE SÉRIE: _____

EST CONFORME AVEC LES INDICATIONS SUIVANTES:

2006/42/EC, 2004/108/EC

A ÉTÉ MANUFACTURÉ CONFORMÉMENT AUX NORMES SUIVANTES:

BS EN 12649 : 2008 + A1 : 2011.

EN 12100-1 : 2003, EN12100-2 : 2003

Magic Screed : 630 rue de l'Argon, Québec, Qc, Canada, G2N 2J6

TEL : 418 849-5037 www.magicscreed.com

Par : Benoit Rouillard



4795 rue Louis-B.-Mayer Laval, Québec
Canada H7P 6G5

Bureau des ventes

International: +1 (450) 978-0200

USA: 870-236-7751

Usine

Tel.: +1 (418) 849-5037

Visitez notre site web:
www.magicscreed.com

E-Mail:

info@magicscreed.com



#MyMagicScreed

